



Keep warm, save more,
consume less.

Snugr aerotherms control box

Description

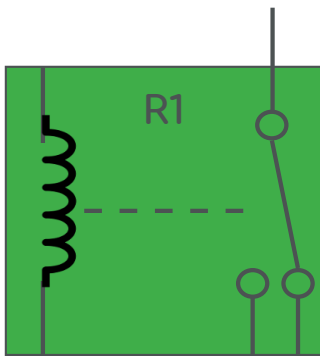
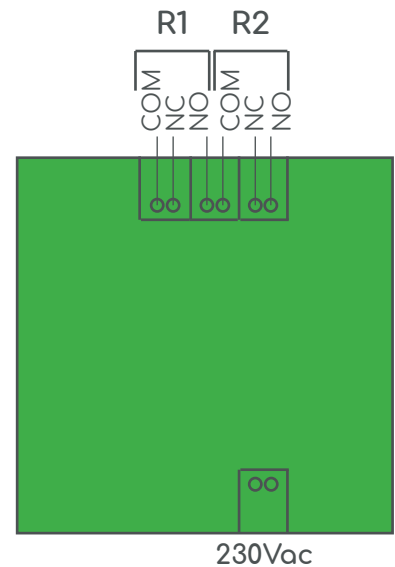


Allows an aerotherm (or any device requiring high power switching) to be managed by the Snugr box via a potential-free relay (dry contact)

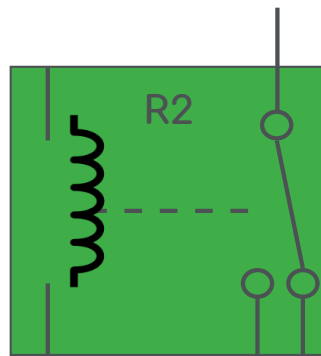
- Can be combined with a Snugr temperature sensor if the aerotherm control box is installed in a remote place
- Designed for the control of aerotherms located in industrial buildings and sport facilities
- Communicates by radio: EnOcean protocol - Frequency: 868 MHz



Powered by 230V AC • Low power consumption • Switching up to 16A (max. 3680 W / 2500 W continuous)



R1 /NO R1 /NC



R2 /NO R2 /NC

R1 = Relay 1
R2 = Relay 2
NC = Normally closed
NO = Normally open

Snugr is a 4INCH Ltd. solution.
4INCH Ltd reserves the right to make technical changes..



Snugr: More comfort, more savings, less energy. www.Snugr.be